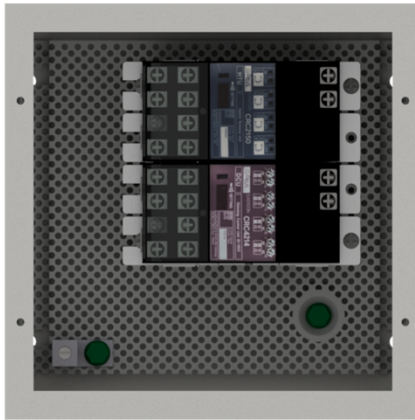
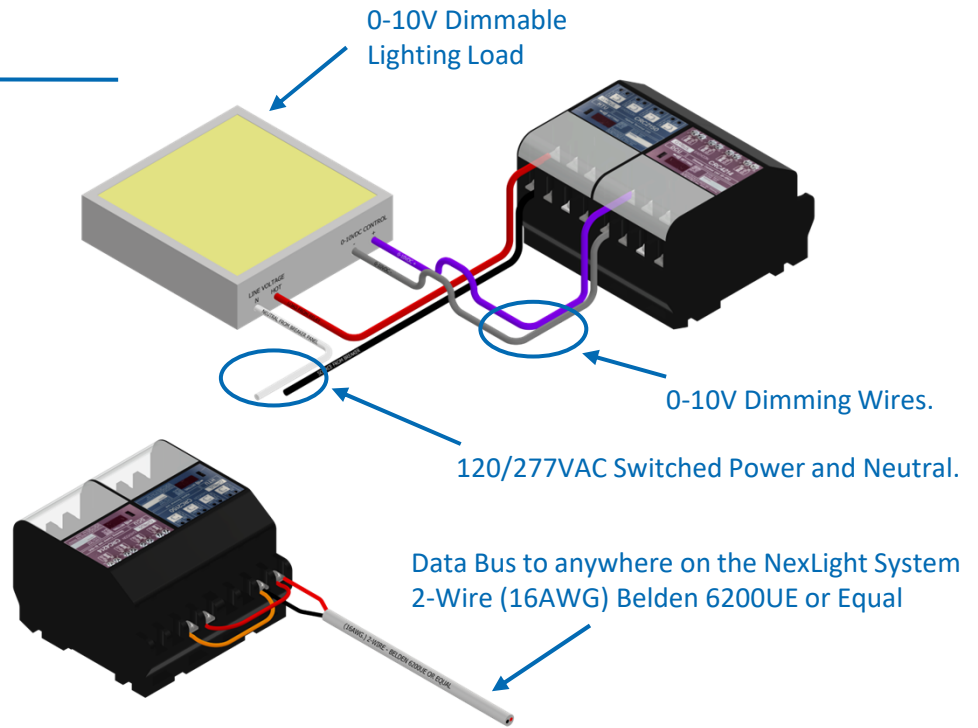


RC SERIES

ROOM CONTROL PANEL



NXL-RC4D Shown



APPLICATION OVERVIEW

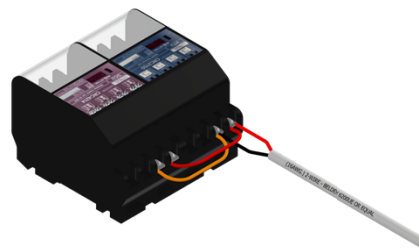
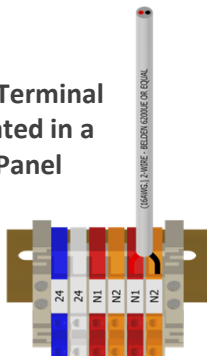
The RC Series Panels are an Auxiliary Panel for use in distributed system designs connected to the NexLight Lighting Control System. The small enclosure can easily be mounted in the controlled space to run smaller lighting Loads (10A or less per zone). The distributed network approach reduces the need for line voltage home runs to the main lighting control panel. There is no transformer for control power, the only control power required is supplied by the NexLight 2-Wire Data Bus. The RC Series provides up to 4 Zones each in either On/Off or Dimming applications.

APPLICATION HIGHLIGHTS

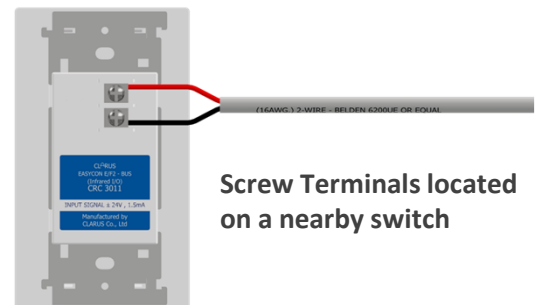
- Easily Expand the control capacity of a NexLight Lighting Control System.
- Use as an auxiliary panel for an R Series, D Series or a Custom Panel.
- Programming, Monitoring and Remote Override available through Main Panel Graphic User Interface (GUI).

TYPICAL DATA BUS CONNECTIONS

Data Bus Terminal Block located in a NexLight Panel



Screw Terminals located on Panel devices



Screw Terminals located on a nearby switch